

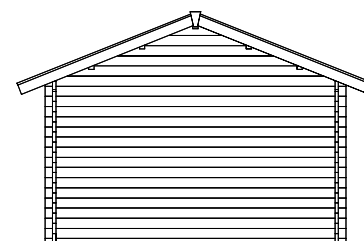
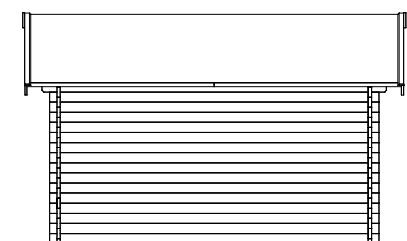
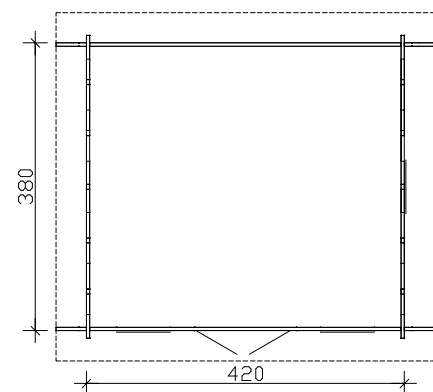
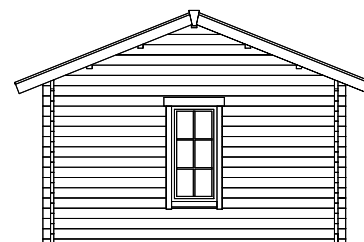
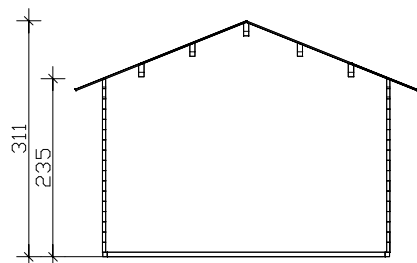
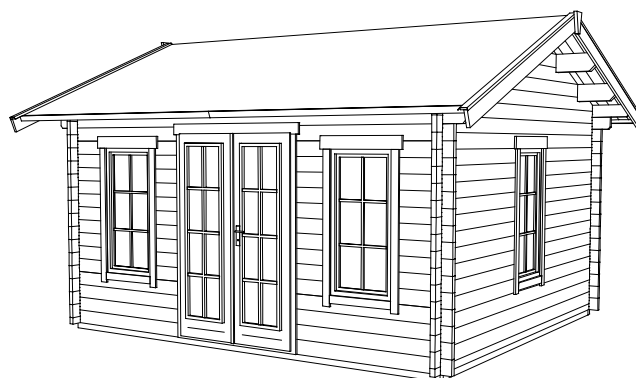
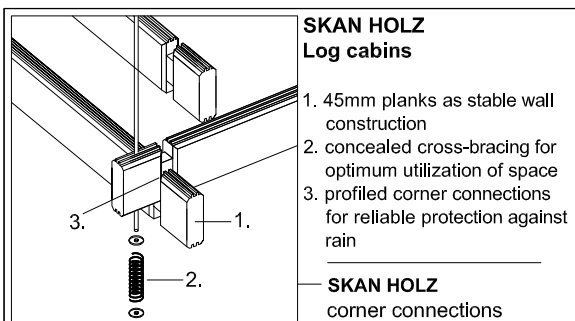
Floor plan, cross-section and elevations M 1:100

**Lugano 1 420 x 300cm**  
**Data sheet / construction description**

*Lugano 1<sup>45plus</sup>*

|   |  |
|---|--|
| <b>Walls</b>  | <b>45mm wooden planks</b> , untreated  |
| <b>Ground supports/floors</b>   | <b>60 x 60mm</b> , impregnated / <b>19mm floor planks</b> , untreated<br>(Insulation by customer possible)   |
| <b>Iron parts</b>   | <b>galvanized</b>  |
| <b>Width x depth</b>  | <b>420cm x 300cm</b> with roof extension 40cm, around circumference  |
| <b>Height, eaves / gable</b>  | <b>235cm / 296cm</b>   |
| <b>Area / building volume</b>   | <b>12,60m<sup>2</sup> / 33,45m<sup>3</sup></b> (without roof extension)  |
| <b>Roof inclination/- area</b>  | <b>23° / 20,80m<sup>2</sup></b>  |
| <b>Snowload</b>   | <b>max. sk = 1,25kN/m<sup>2</sup></b> (roofing tiles)  |
| <b>- Basic model</b>  | 4018211 <b>610808</b> (Boards and roofing felt)  |
| <b>- Roofing tiles</b>  | 4018211 <b>610839</b> (Counter battens and battens for roofing tiles)  |
| <b>- Shingles</b>   | 4018211 <b>610846</b> (Counter battens and 2. battens for shingles)  |
| (Roofing tiles and shingles are not included!)                                |  |
| (The informations about height and building volume are for the basic model !) |  |
| <b>Inclusive</b>  | <b>1 double door</b> (passage 112 x 181,5cm), <b>3 tilt- and turn windows</b> (opening 52 x 118cm), <b>concealed tie rod construction</b> , <b>profiled corner connections</b> |

**By customer** Insulation, assembly ground supports with subsoil



Floor plan, cross-section and elevations M 1:100

**Lugano 2 420 x 380cm**  
**Data sheet / construction description**

*Lugano 2<sup>45plus</sup>*

|                                |  |
|--------------------------------|--|
| <b>Walls</b>                   | <b>45mm wooden planks</b> , untreated  |
| <b>Ground supports/floors</b>  | <b>60 x 60mm</b> , impregnated / <b>19mm floor planks</b> , untreated<br>(Insulation by customer possible)   |
| <b>Iron parts</b>              | <b>galvanized</b>  |
| <b>Width x depth</b>           | <b>420cm x 380cm</b> with roof extension 40cm, around circumference  |
| <b>Height, eaves / gable</b>   | <b>235cm / 311cm</b>   |
| <b>Area / building volume</b>  | <b>15,96m<sup>2</sup> / 43,57m<sup>3</sup></b> (without roof extension)  |
| <b>Roof inclination/- area</b> | <b>22° / 24,50m<sup>2</sup></b>  |
| <b>Snowload</b>                | <b>max. sk = 1,25kN/m<sup>2</sup></b> (roofing tiles)  |
| <b>- Basic model</b>           | 4018211 <b>610853</b> (Boards and roofing felt)  |
| <b>- Roofing tiles</b>         | 4018211 <b>610860</b> (Counter battens and battens for roofing tiles)  |
| <b>- Shingles</b>              | 4018211 <b>610877</b> (Counter battens and 2. battens for shingles)  |
|                                | (Roofing tiles and shingles are not included!)<br>(The informations about height and building volume are for the basic model !)  |
| <b>Inclusive</b>               | <b>1 double door</b> (passage 112 x 181,5cm), <b>3 tilt- and turn windows</b> (opening 52 x 118cm), <b>concealed tie rod construction</b> , <b>profiled corner connections</b> |
| <b>By customer</b>             | Insulation, assembly ground supports with subsoil  |